



**iSWITCH**

---

# SISTEMAS DE GESTIÓN DE ENERGÍA ENERGY MANA- GEMENT SYSTEMS

**iSWITCH iTOUCH- RFID mifare wireless/  
energy saver**

ENKOA energy savers **enable saving up to 60% in the electrici-  
ty bill** at the installed buidings.

Our products are designed to meet the needs of the following  
markets:  
hotels/aparthotel, retirement homes, student housing, universi-  
ties, office or government buildings.....

---

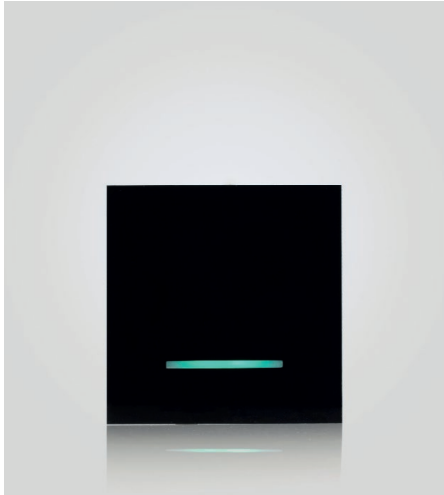
**WE MAKE  
SENSE**

**ENKOA**





# ISWITCH ITOUCH - RFID MIFARE - WIRELESS ENERGY SAVER

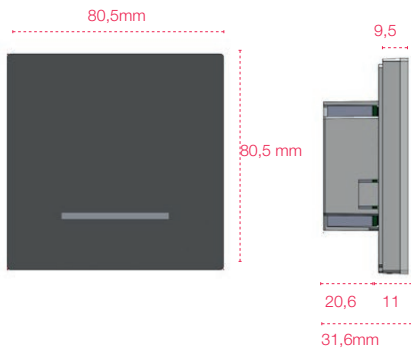


## Characteristics

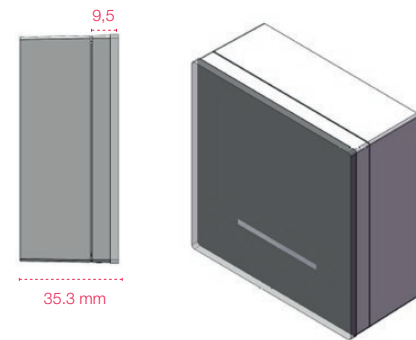
DESCRIPTION	iSWITCH iTOUCH RFID Mifare wireless energy saver
REFERENCE	Recess model - DETTxABx7S00303000 Surface accessory - CJACCTOUCHV0-1x
POWER	100-240V ~
CONSUMPTION	Nominal 30 mA. Max. 50mA ( 240V ~).
OUTPUT RELAY	<u>2 relay:</u> One according to net voltage and the other one free voltage.  <u>Cutting power:</u> 12 A, 240 V~, cos φ = 1
FREQUENCY	50/60 Hz.
COMMUNICATIONS	2,4GHz, IEEE 802.15.4 wireless
PILOT LIGHTS	2 colors (red & green).
OPERATING TEMPERATURE	0°-50°.
BACK HOUSING	ABS Fireproof material (according to norm UL 94 V-0)

## Dimensions:

### Recess model



### Surface model



## Benefits

**ENERGY SAVING** It turns power off when the guest leaves the room, to prevent from air conditioning, lighting...to be left on.

**INTELLIGENT.** It works with the room card or as standalone with the room sensors.

**COMFORT.** Temporized courtesy light and possibility to control the access to the minibar, phone, water...

**WIRELESS COMMUNICATION WITH SENSORS** It receives the information sent by sensors and acts accordingly.

**PULSE MODEL OR CARDLESS MODE** it can work in pulse mode (approaching a card) or in cardless mode.



Enkoa System S.L.

Polígono Erramone 45, 20850 Mendaro. Gipuzkoa. Spain  
T +34 943 757 000 | info@enkoea.com  
[www.enkoea.com](http://www.enkoea.com)

